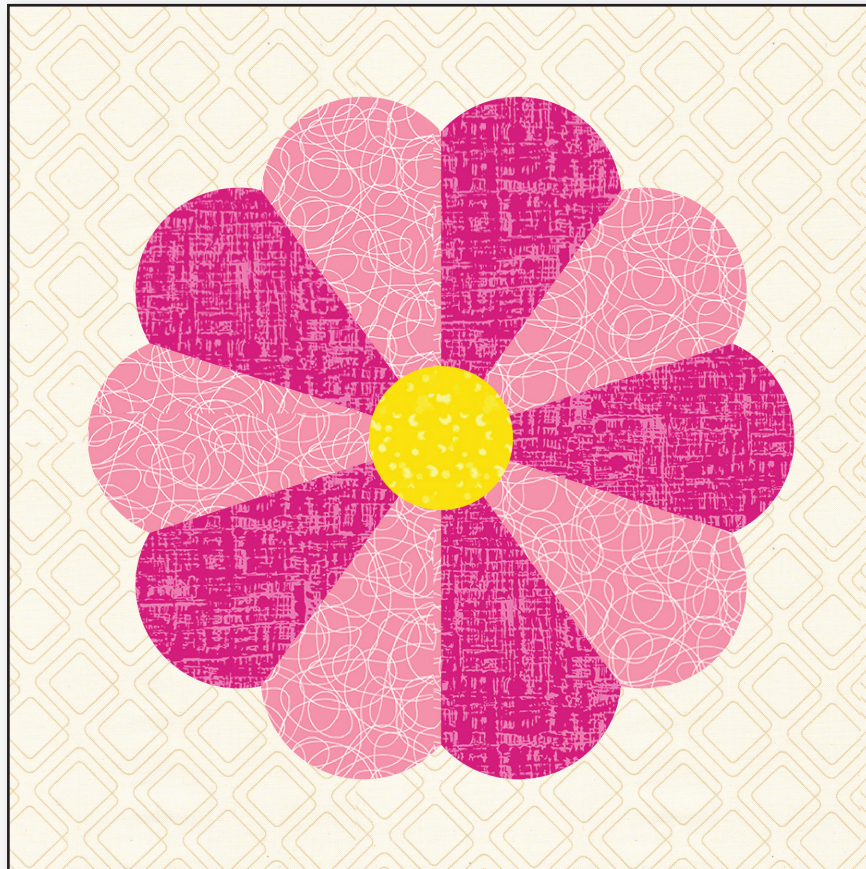


Dresden Plate Block

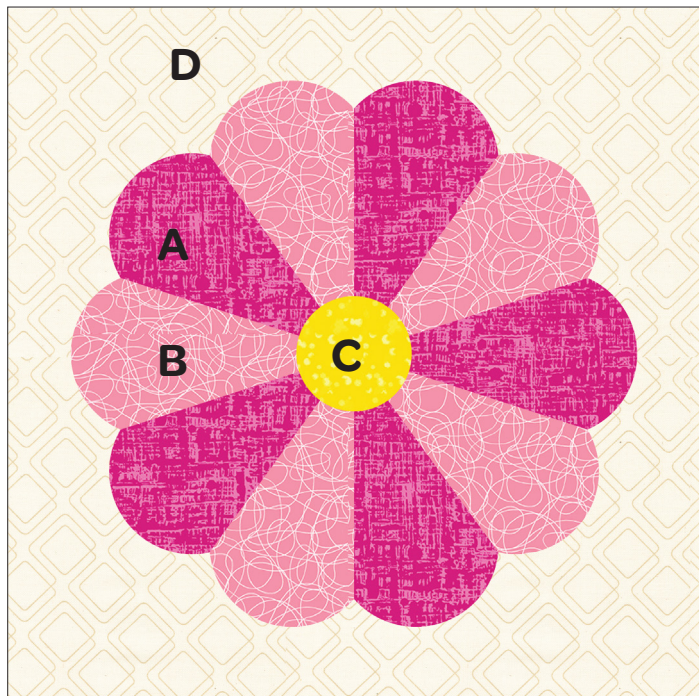


6", 8", 10" & 12" Applique Block



Dresden Plate Block

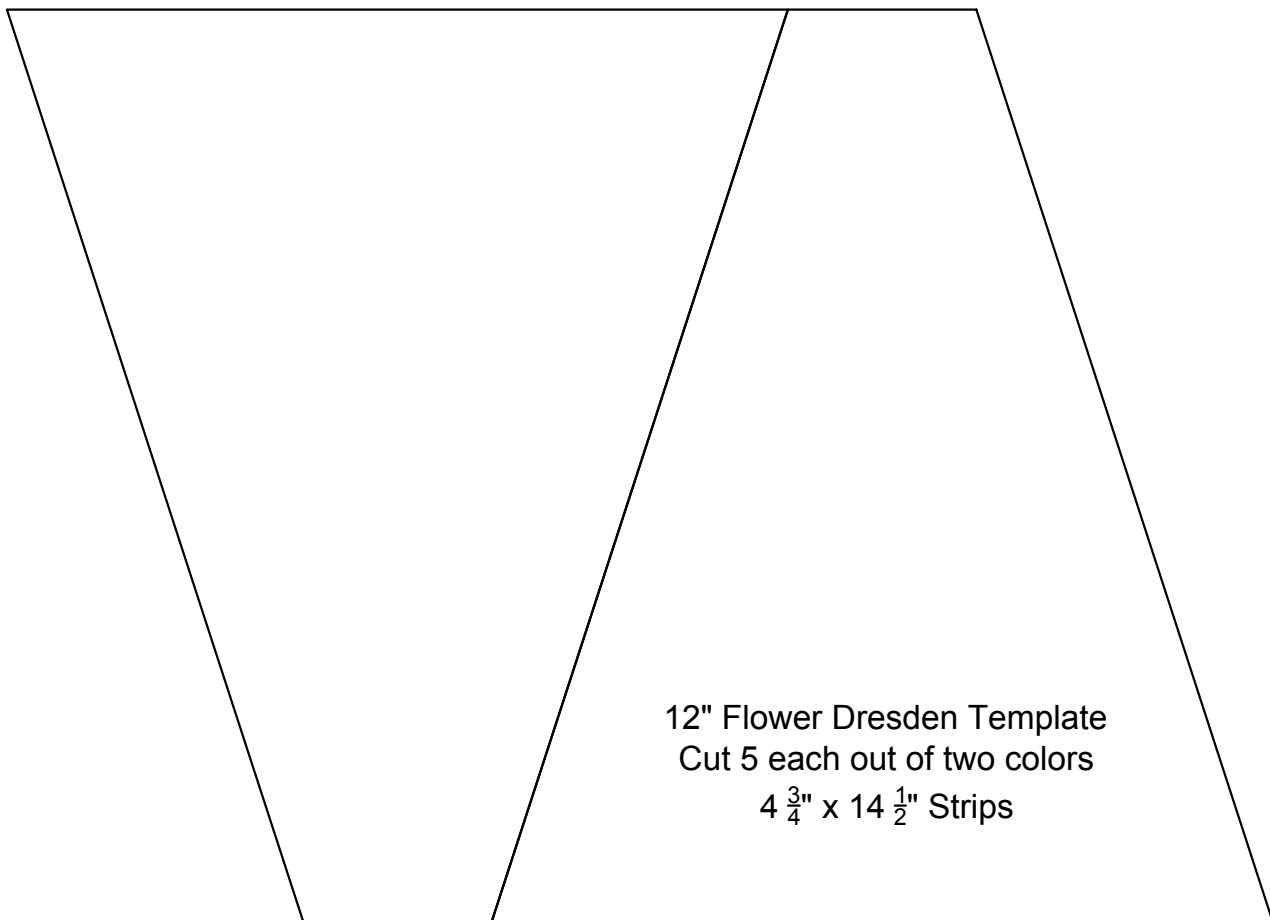
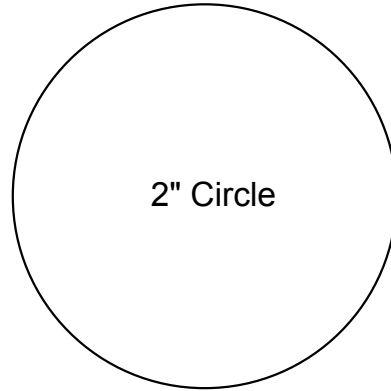
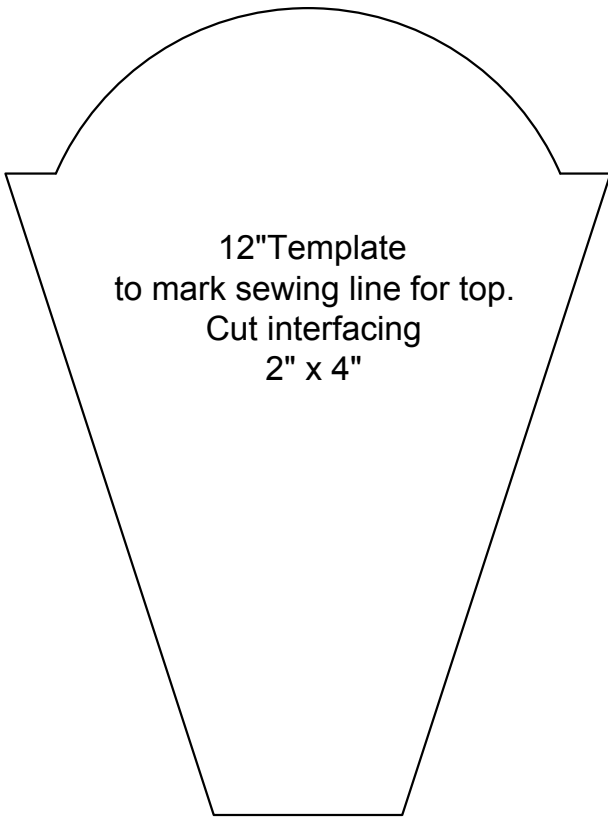
Instructions

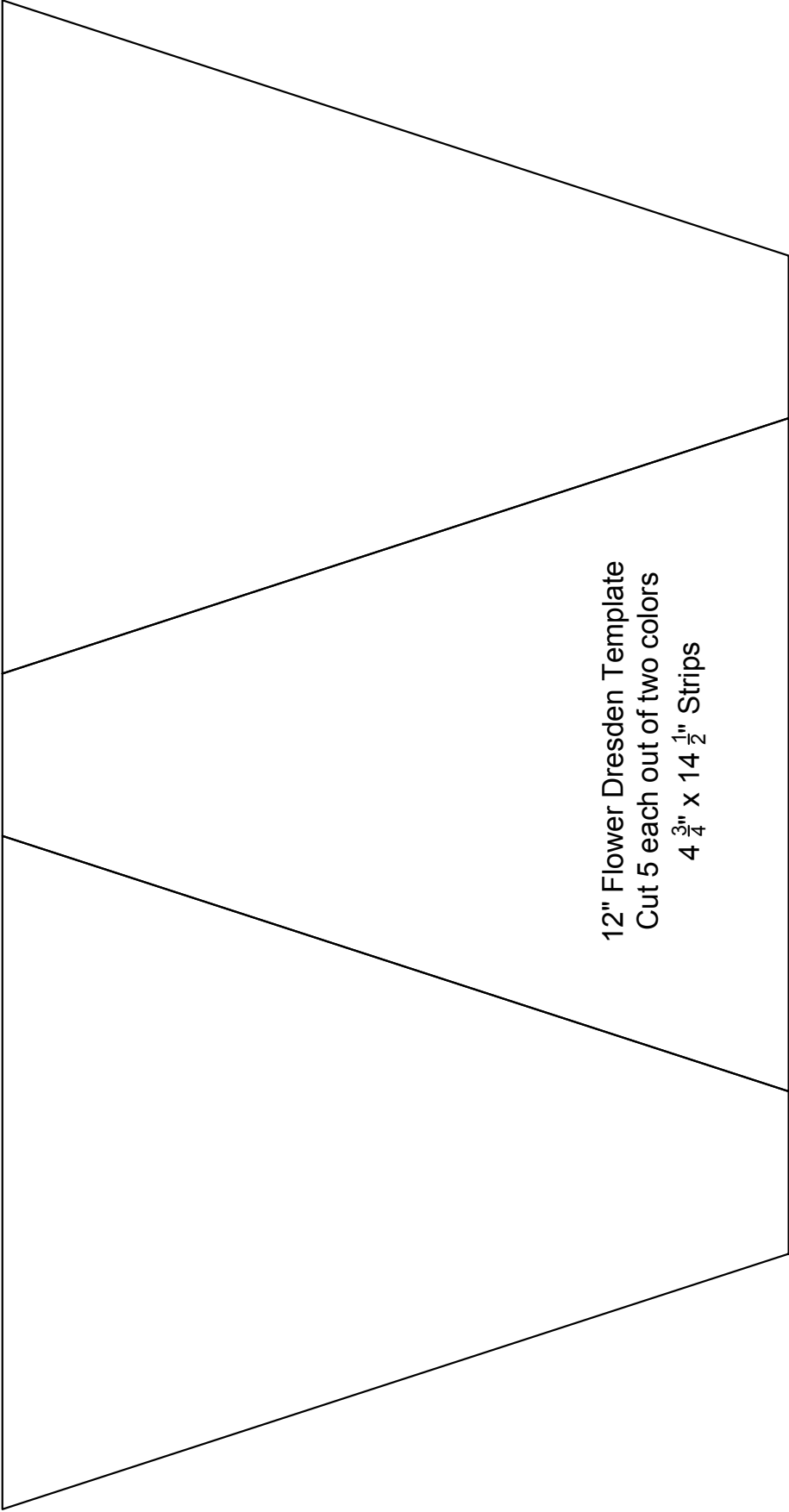


1. Print the templates and cut on the outside lines.
2. Layer fabric A & B right side down.
3. Using the cutting template, apply washable glue to the back of the template and lay on top of the strips.
4. Cut on the lines to create the wedges.
5. On the back side of each wedge, use the curved marking template to mark the top of each wedge.
6. Layer the interfacing to the right side of the wedge at the top and sew on the marked line you made.
7. Trim to a 1/8" or use pinking shears. Clip into the corner at the end of the curve.
8. Turn right side out and press the curve.
9. Sew each wedge together on the sides to form a circle. I like to sew 5 together twice then sew the halves together.
10. Press seams open.
11. Sew interfacing to circle on the right side of fabric. Trim to 1/8".
12. Cut a slit in the interfacing and turn circle right side out. Press the circle.
13. Applique the circle to the wedges using your preferred applique method.
14. Center Dresden on to the background fabric.
15. Applique the Dresden to the fabric.
16. Trim to 6 1/2", 8 1/2", 10 1/2" or 12 1/2" according to the size block you are making.

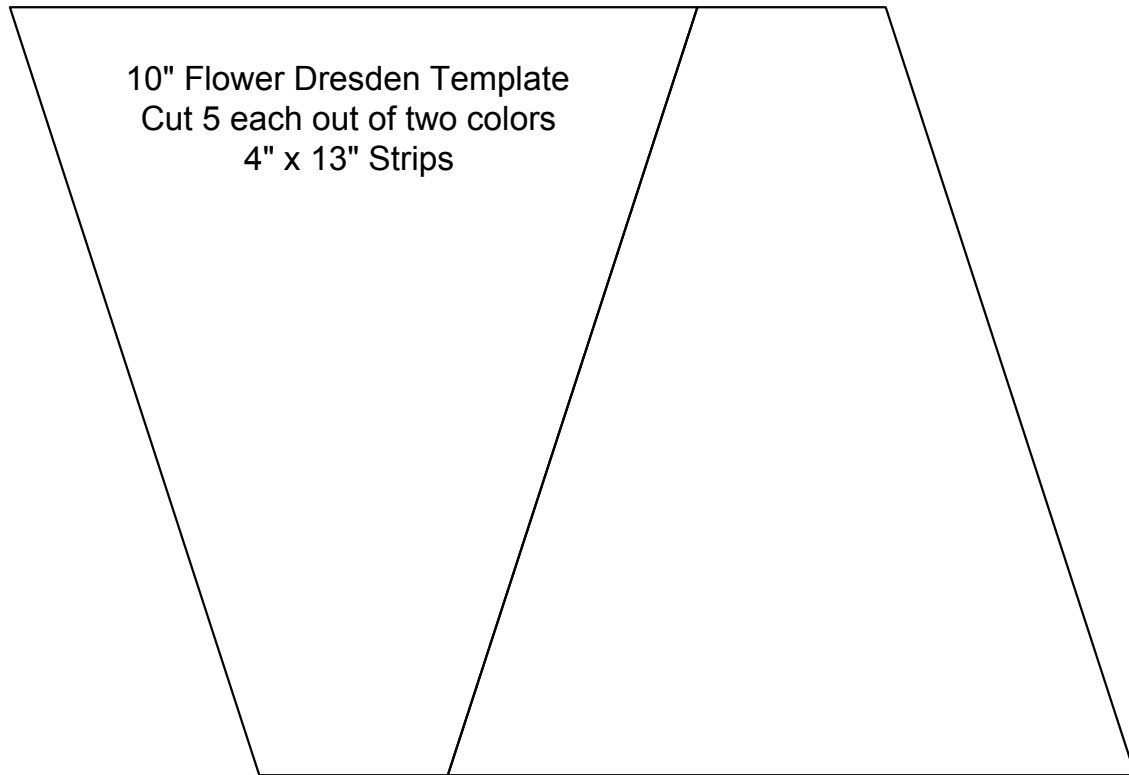
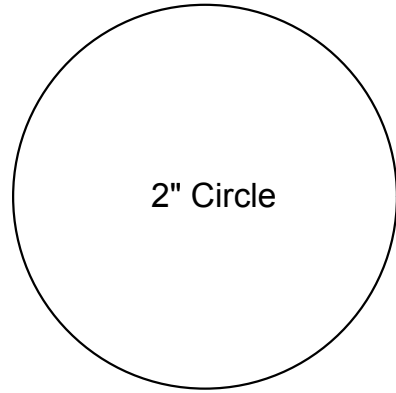
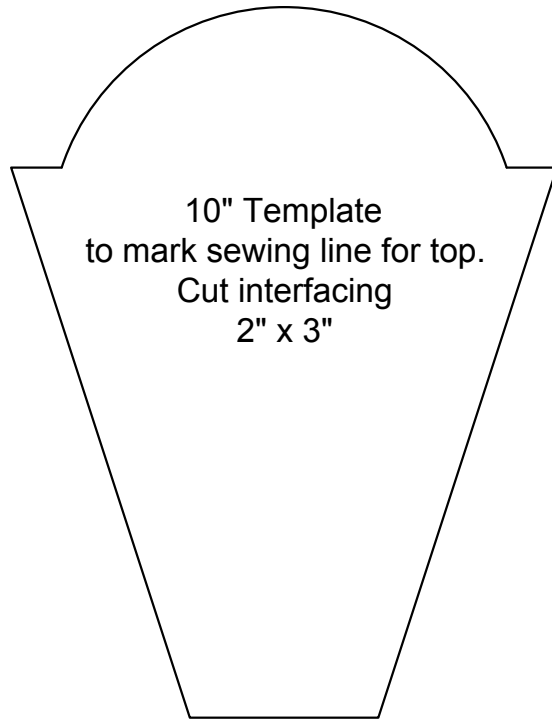
Cutting Chart:

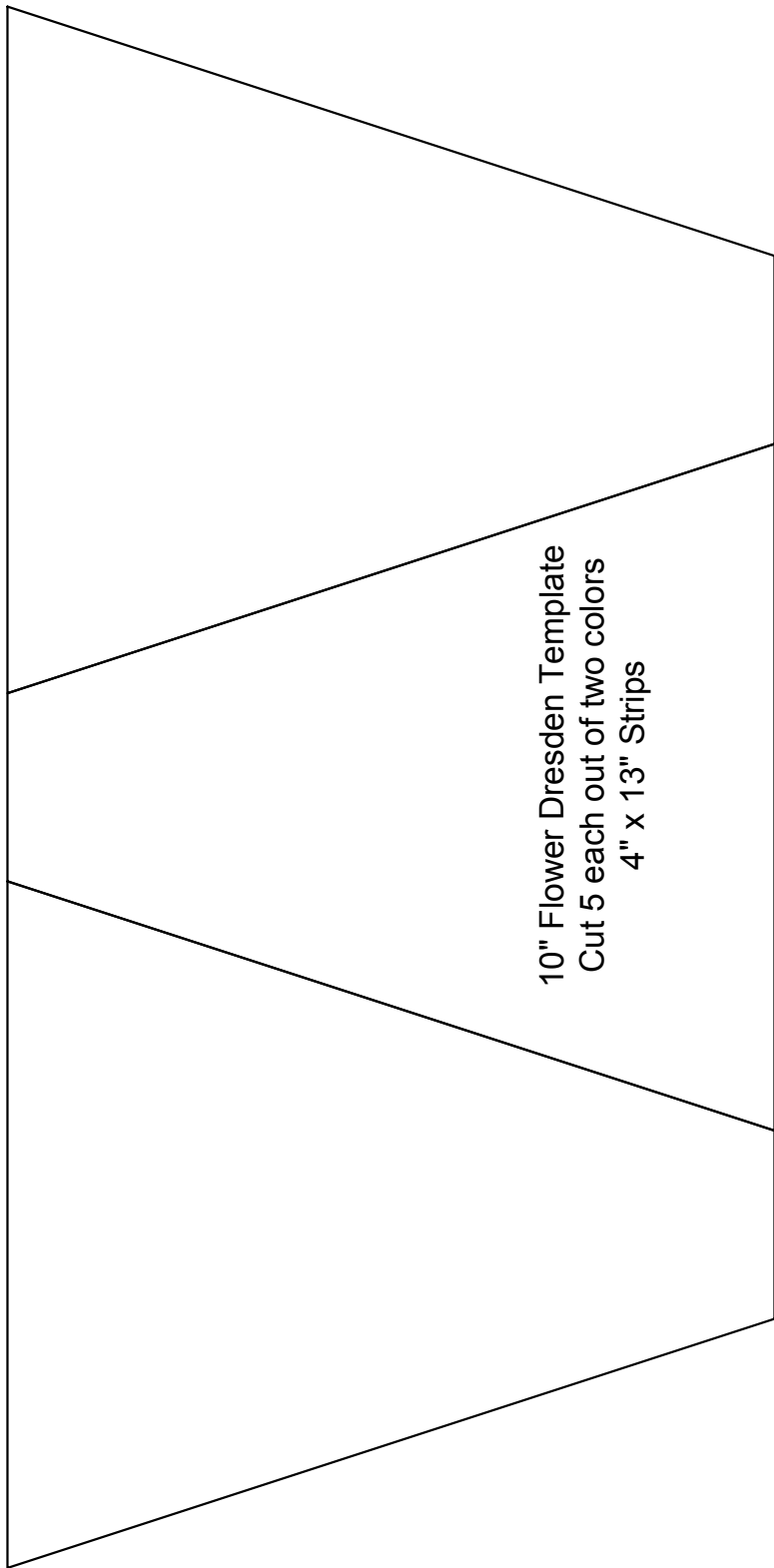
Fabric	Qty	6" Block	8" Block	10" Block	12" Block
A	1	2 1/4"x9 1/2"	3 1/4"x11 1/2"	4"x13"	4 3/4"x14 1/2"
B	1	2 1/4"x9 1/2"	3 1/4"x11 1/2"	4"x13"	4 3/4"x14 1/2"
C	1	3" sq	3" sq	3" sq	3" sq
Interfacing	10	1"x2 1/2"	2"x2 1/2"	2"x3"	7" sq
Background	1	7" sq	9" sq	11" sq	13"
Circle Interfacing	1	3" sq	3" sq	3" sq	3" sq



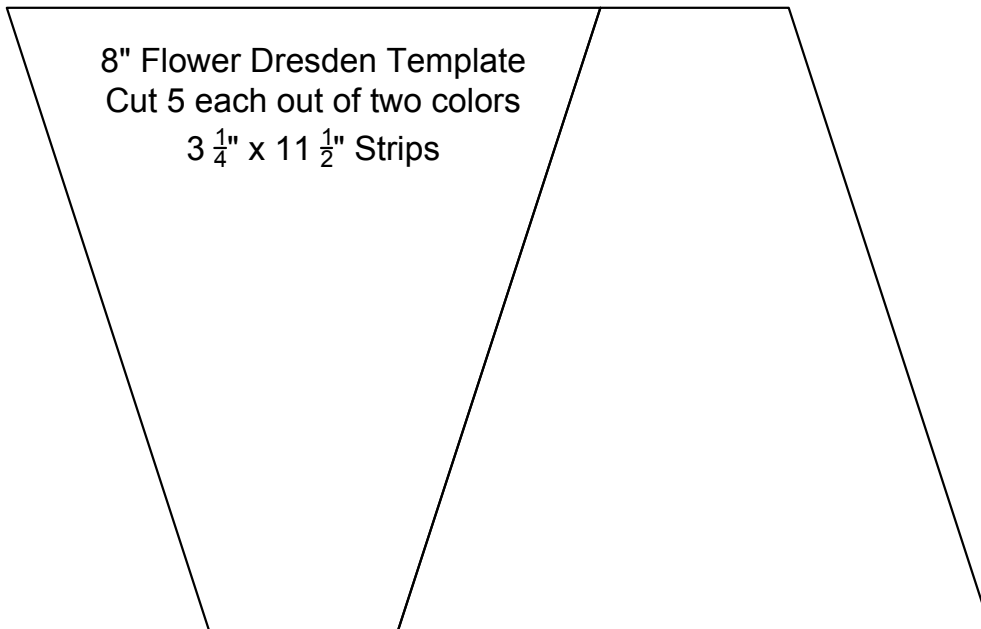
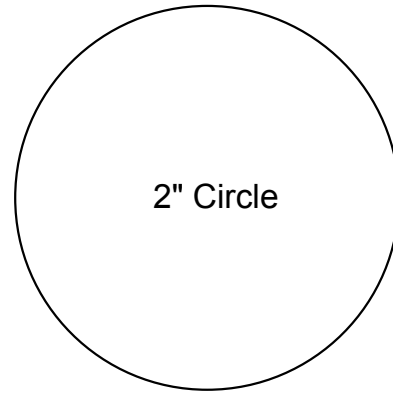
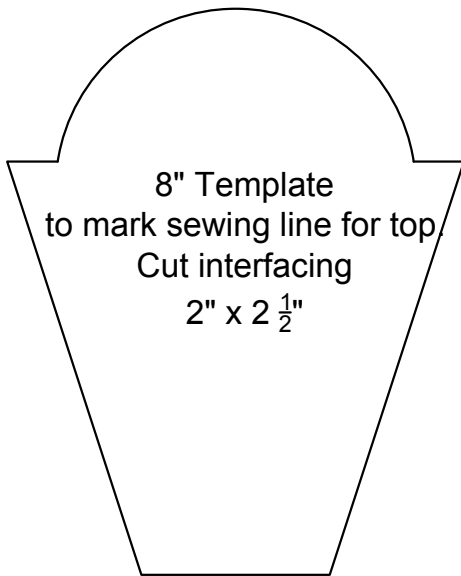


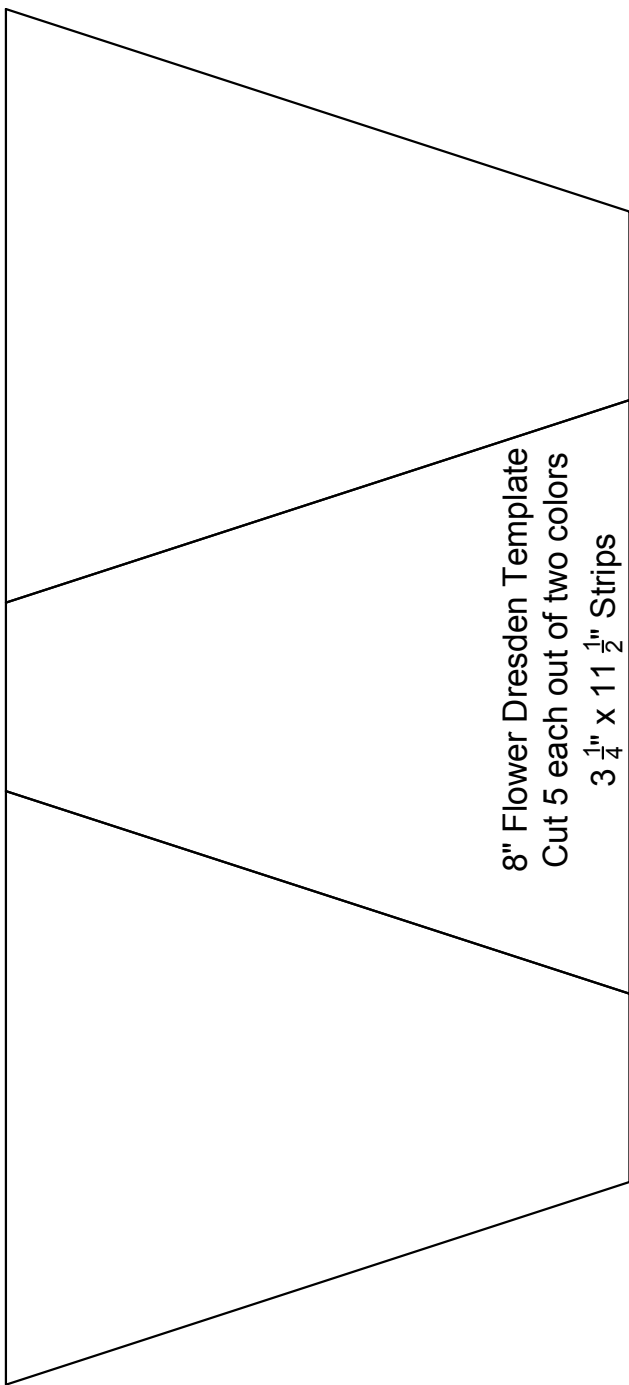
12" Flower Dresden Template
Cut 5 each out of two colors
4 $\frac{3}{4}$ " x 14 $\frac{1}{2}$ " Strips



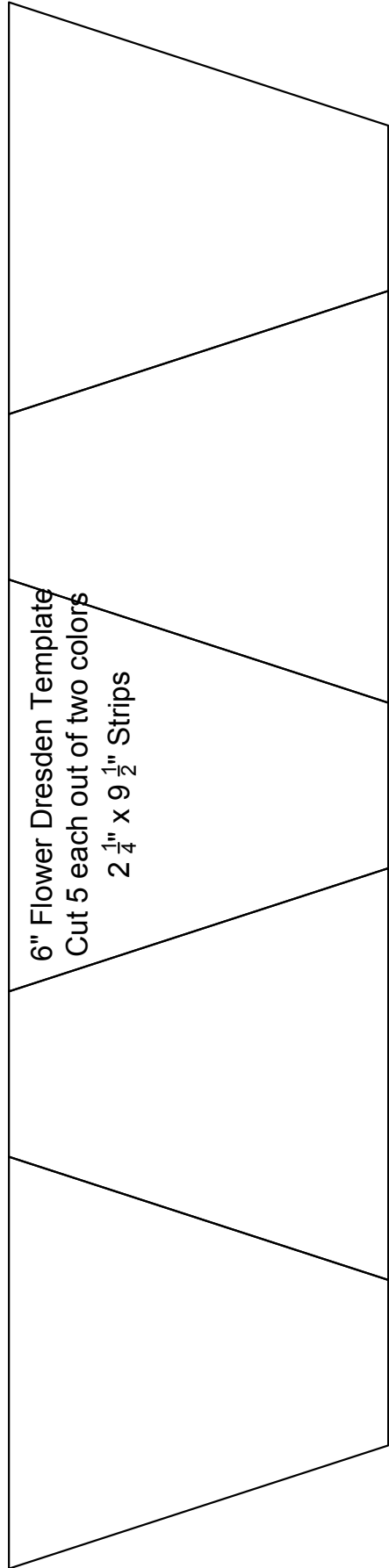


10" Flower Dresden Template
Cut 5 each out of two colors
4" x 13" Strips

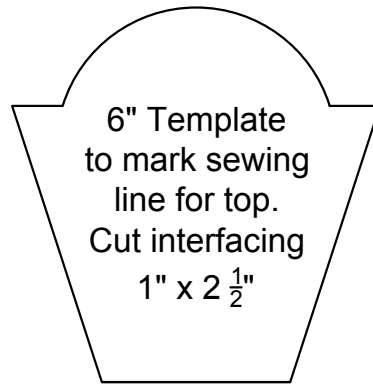




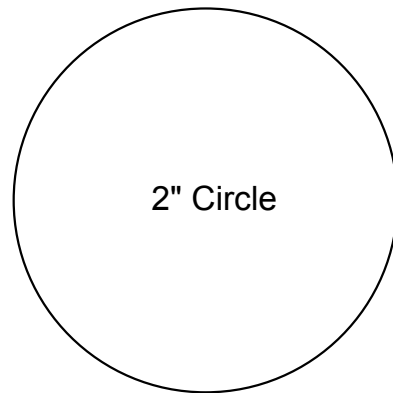
8" Flower Dresden Template
Cut 5 each out of two colors
3 ¹/₄" x 11 ¹/₂" Strips



6" Flower Dresden Template
Cut 5 each out of two colors
2 $\frac{1}{4}$ " x 9 $\frac{1}{2}$ " Strips



6" Template
to mark sewing
line for top.
Cut interfacing
1" x 2 $\frac{1}{2}$ "



2" Circle